

Kol. Opis

1 SOLOLIFT2 C-3



Paznja! Slika proizvoda se može razlikovati od stvarnog proizvoda

Proizvodni broj: [97775317](#)

Sololift2 C-3 is a small, compact automatic lifting station suitable for pumping of greywater (w/o faeces) off places in private dwellings where wastewater cannot be led directly to the sewer by means of a natural downward slope.

Sololift2 C-3 is typically used for:

- cabinet showers, washbasins, bath tubs, washing machines (max. 90°C) and dishwashers in basements below sewer level or in connection with the renovation or modernisation of existing buildings, where the location may be remote from the main soil pipe so that a natural slope cannot be established.

Sololift2 C-3 is suitable for installation under a washbasin or particularly for confined space conditions in prewall constructions and built-in cabinets. Extremely low switching levels for lowest construction heights, advantageously in case of connection of a shower receptor.

The compact lifting station is equipped with

- Cable with or without plug (see technical data)
- Horizontal or vertical fastening possibility of discharge hose connector with several adaptors for pipes with Ø22-40mm
- Integrated non return valve
- Dry and high performance motor unit incl. thermal protection, level switch and controller
- Flexible connectors for inlet (adjustable in height) of pipes Ø36 or 40
- Manual anti clogging function and separate drain connection for service
- Venting valve with overflow protection
- Uplift fixation clips

Design according to EN12050-2 and production inspection by external institute with unique features focused on quick installation, long lasting operation and easy clean service.

Note: The discharge adaptor can be mounted vertical or horizontal. Vertical installation increase the flow (s. databooklet and curves)

Tečnost:

Dizana tečnost: bilo koja viskozna tečnost

Maximum liquid temperature: 75(90) °C

Gustina: 998.2 kg/m³

Tehnički:

Saglasnosti na natpisnoj pločici: CE,TR,VDEEMV,VDE,MORO

Tolerancija krive: ISO9906:2012 3B

Materijali:

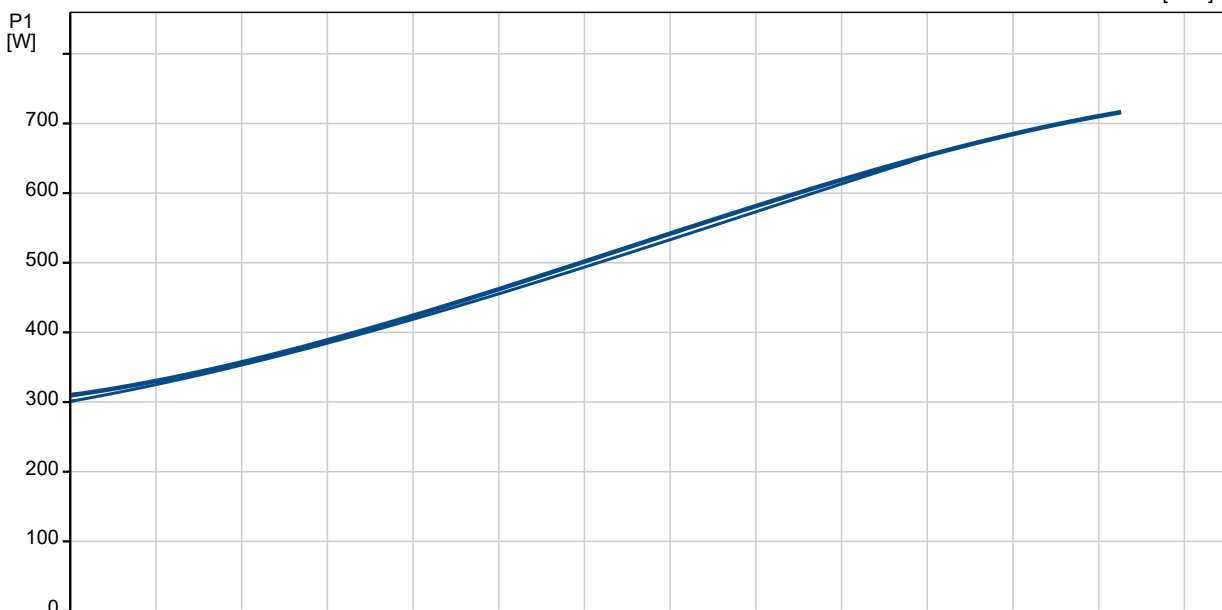
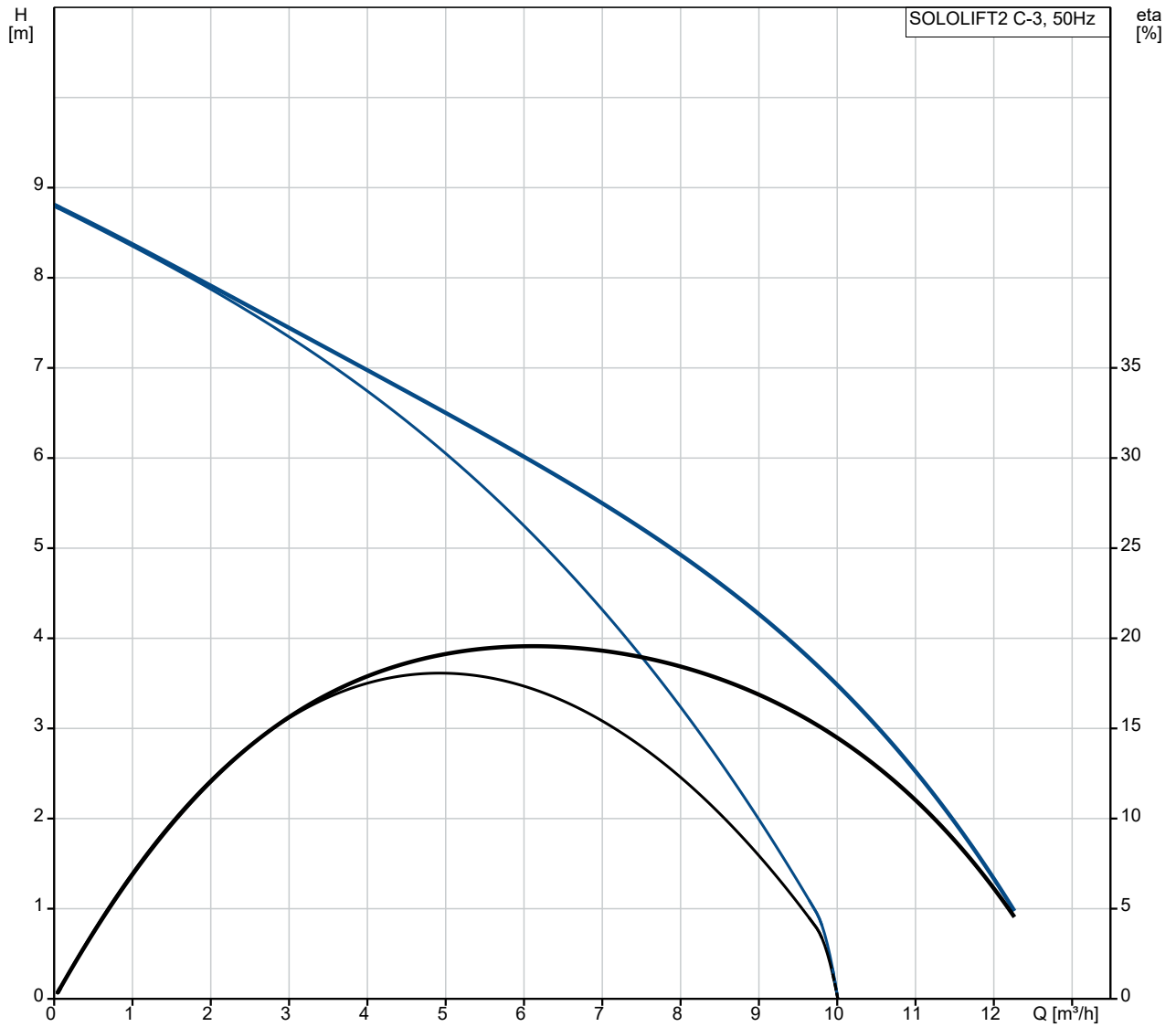
Rezervoar: Plastika

Ugradnja:

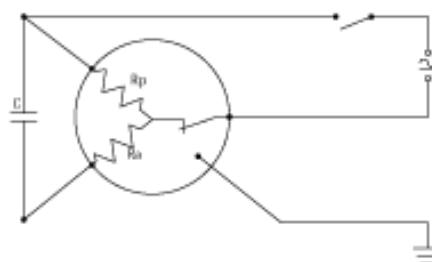
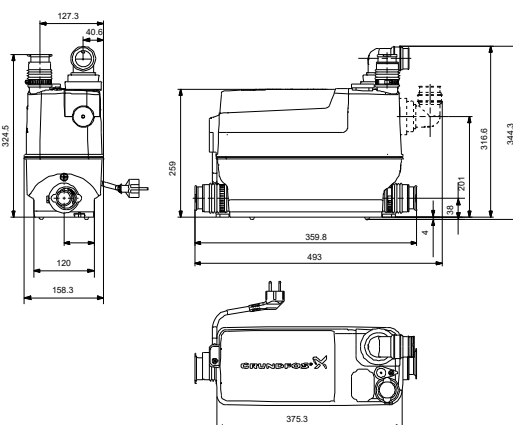
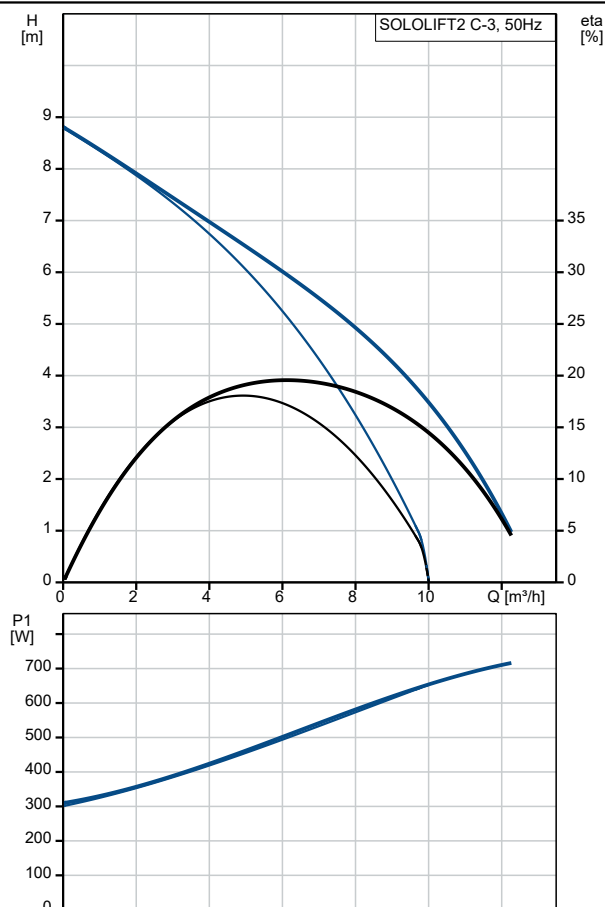
Ulaz pumpe: 32/36/40, 36/40/50

Kol.	Opis
	Izlaz pumpe: 22/25/28/32/36/40 Broj elektroda: 3X0,75MM2
	Elektro podaci: Potrebna snaga - P1: 640 W Frekvencija struje: 50 Hz Potrebni napon: 1 x 220-240 V Nazivna struja: 3.1 A Cos fi - faktor snage: 0.9 Nazivna brzina: 2800 rpm Klasa zaštite (IEC 34-5): IP44 Klasa izolacije (IEC 85): F Dužina kabla: 1.2 m Tip kabla: H05VV-F-3G Tip kablovskog utikača: SCHUKO
	Ostali: Neto masa: 7.75 kg Bruto masa: 9.3 kg Danski VVS Br.: 614365632 Swedish RSK No.: 5886547 Finnish LVI No.: 4965315 Norwegian NRF no.: 9045711 Country of origin: RS Custom tariff no.: 8413708190

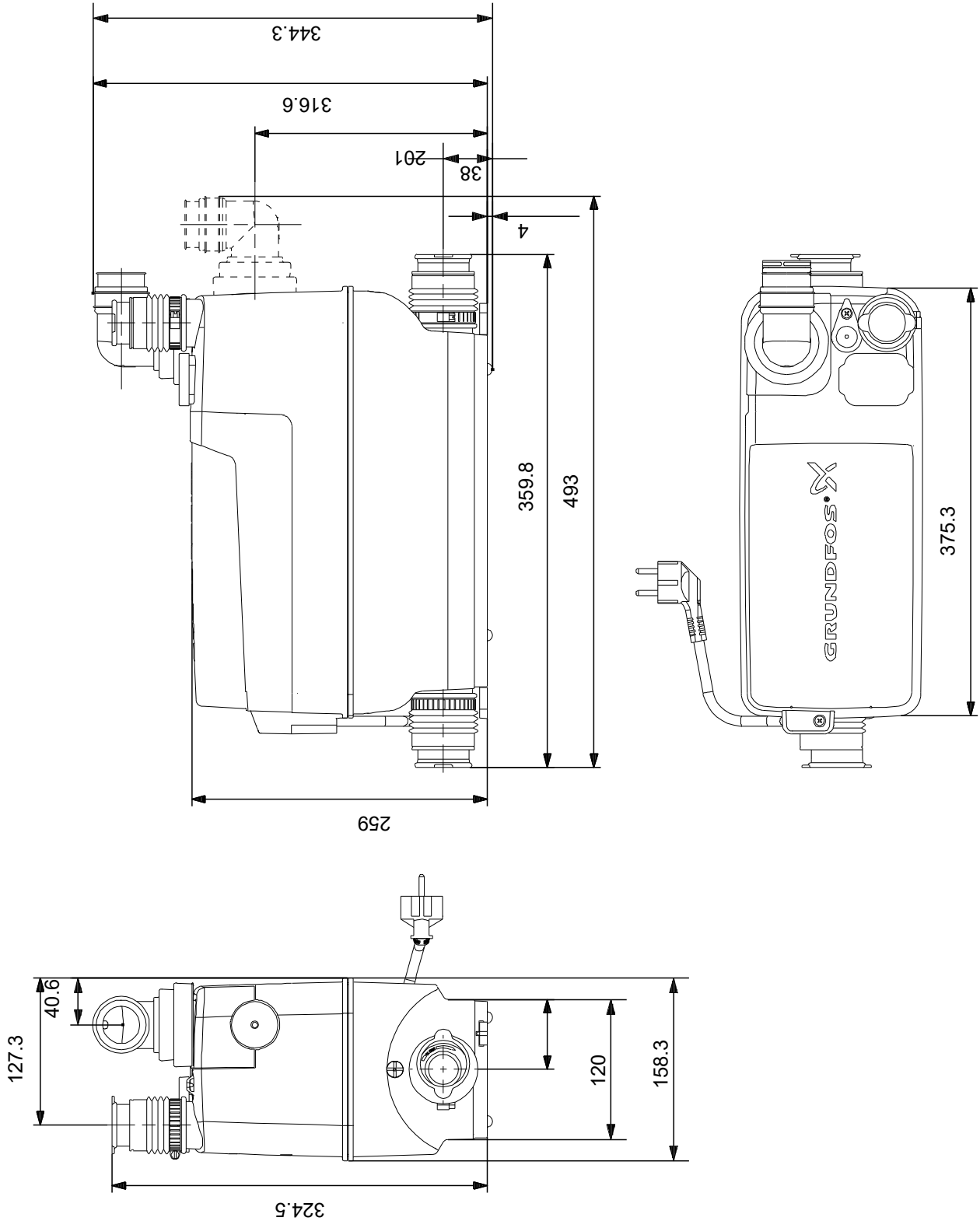
97775317 SOLOLIFT2 C-3 50 Hz



Opis	Vrednost
Opšte informacije:	
Ime proizvoda::	SOLOLIFT2 C-3
Šifra proizvoda:	97775317
EAN broj::	5710624187265
Cena:	€ 469.84
Tehnički:	
Visina max.:	8.5 m
Saglasnosti na natpisnoj pločici:	CE,TR,VDEEMV,VDE,MORO
Tolerancija krive:	ISO9906:2012 3B
Materijali:	
Rezervoar:	Plastika
Ugradnja:	
Ulaz pumpe:	32/36/40, 36/40/50
Izlaz pumpe:	22/25/28/32/36/40
Broj elektroda:	3X0,75MM2
Tečnost:	
Dizana tečnost:	bilo koja viskozna tečnost
Maximum liquid temperature:	75(90) °C
Gustina:	998.2 kg/m ³
Elektro podaci:	
Potrebna snaga - P1:	640 W
Frekvencija struje:	50 Hz
Potrebni napon:	1 x 220-240 V
Nazivna struja:	3.1 A
Cos fi - faktor snage:	0.9
Nazivna brzina:	2800 rpm
Klasa zaštite (IEC 34-5):	IP44
Klasa izolacije (IEC 85):	F
Termička zaštita:	THERMIK S06-140-05
Dužina kabela:	1.2 m
Tip kabela:	H05VV-F-3G
Tip kablovskog utikača:	SCHUKO
Ostali:	
Neto masa:	7.75 kg
Bruto masa:	9.3 kg
Pregled tipova:	Internacionalni
Danski VVS Br.:	614365632
Swedish RSK No.:	5886547
Finnish LVI No.:	4965315
Norwegian NRF no.:	9045711
Country of origin:	RS
Custom tariff no.:	8413708190

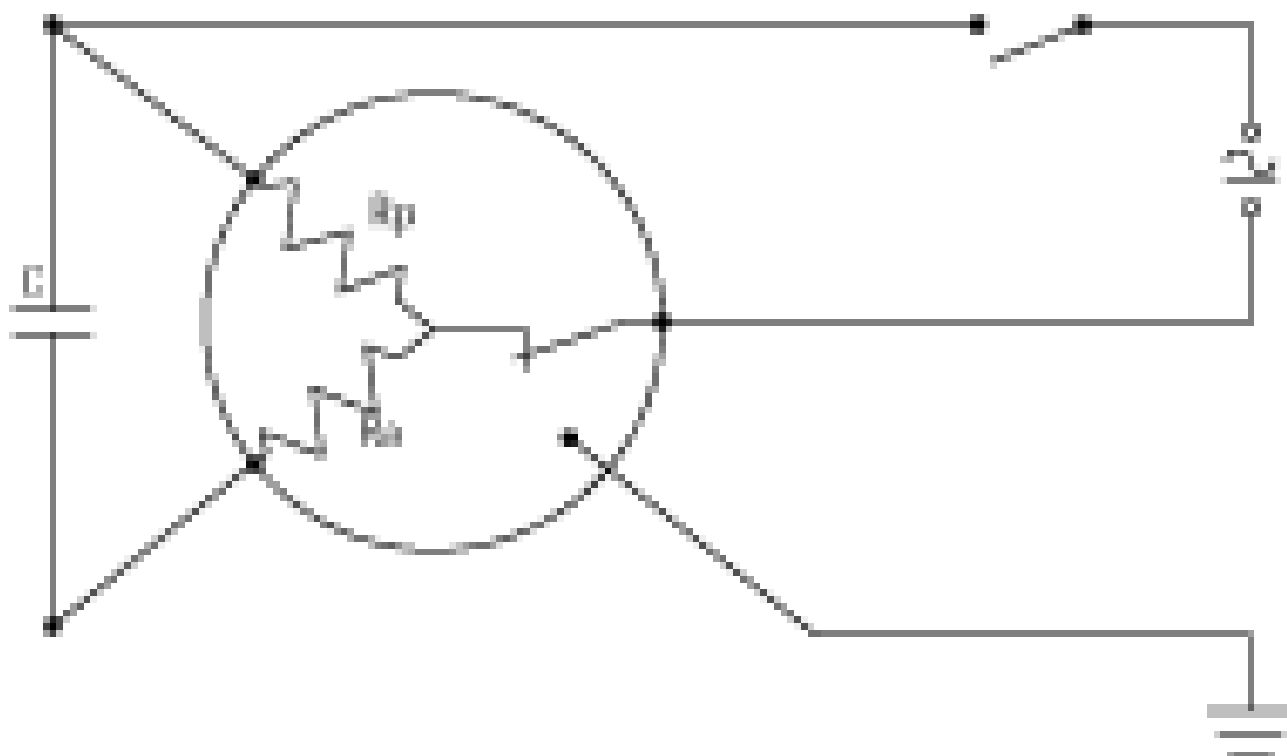


97775317 SOLOLIFT2 C-3 50 Hz



Napomena! Sve jedinice su u [mm] ukoliko drugačije nije navedeno.
Upozorenje: Ovaj pojednostavljeni dimenzioni crtež ne pokazuje sve detalje.

97775317 SOLOLIFT2 C-3 50 Hz



Pažnja! Sve jedinice su u [mm] ukoliko nije rečeno drugačije.